

KIT/ XVR-104F/4*UAC-B112-F28/4*UAC-T112-F28



Key Features

XVR-104F

- Support H.265/H.264 video formats
- Support audio over coaxial cable (only for TVI cameras)
- Support analog camera upgrade over coaxial cable
- Support TVI, AHD, CVI, CVBS, IP cameras with adaptive access
- 4/8-channel BNC input
- Support 1-ch HDMI output, 1-ch VGA output at up to 1920*1080
- HDMI and VGA simultaneous output
- Long transmission distance over coaxial cable
- Supports mainstream cameras of ONVIF and RTSP protocols

UAC-B112-F28

- 2MP high quality image
- TVI/AHD/CVI/CVBS
- IR-cut filter with auto switch (ICR)
- Supports 180° horizontal flip, 180° vertical flip
- OSD configuration menu, easy to operate
- IP67 waterproof and dustproof design, high reliability
- OSD configuration menu in 11 languages

UAC-T112-F28

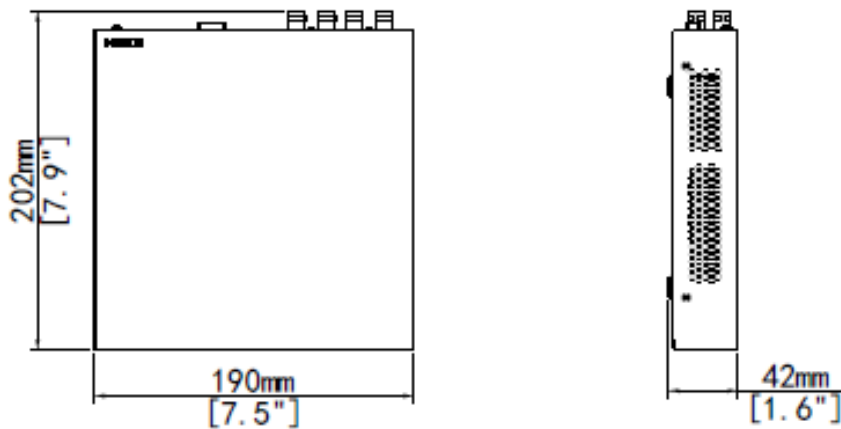
- 2MP high quality image
- TVI/AHD/CVI/CVBS
- IR-cut filter with auto switch (ICR)
- Supports 180° horizontal flip, 180° vertical flip
- OSD configuration menu, easy to operate
- IP67 waterproof and dustproof design, high reliability
- OSD configuration menu in 11 languages
- 3-Axis

Specifications

Model	XVR-104F
Video/Audio Input	
Analog Video Input	4-ch, BNC
IP Video Input	2-ch(only IP up to 6ch), each channel up to 6MP
Supported Analog Camera Types	Support AHD input: 1080P@30fps 720P@30fps Support TVI input: 1080P@30fps 720P@30fps Support CVI input: 1080P@30fps 720P@30fps Support CVBS input
Audio Compression	G.711U
Network	
Incoming Bandwidth	24Mbps (Up to 32Mbps after all analog channel conversion)
Outgoing Bandwidth	48Mbps
Remote Users	128
Protocols	TCP/IP, P2P, UPnP, NTP, DHCP, HTTP, HTTPS, DNS, DDNS, SMTP
Browser	IE(IE10/11) for Windows Firefox (version 52.0 and above) for Windows Chrome(version 45 and above) for Windows Edge(version 79 and above) for Windows
Video/Audio Output	

VGA Output	1920x1080/60Hz, 1920x1080/50Hz, 1600x1200/60Hz, 1280x1024/60Hz, 1280x720/60Hz, 1024x768/60Hz		
HDMI Output	1920x1080/60Hz, 1920x1080/50Hz, 1600x1200/60Hz, 1280x1024/60Hz, 1280x720/60Hz, 1024x768/60Hz		
Synchronous Playback	HD:4-ch SD:4-ch		
Live view display	HDMI/VGA: 1/4/6/8/9		
Encoding			
Recording Resolution	1080P Lite/720P/D1		
Recording Frame Rate	Main stream:	Sub stream:	
	1080P Lite@25fps	D1@25fps	
	720P@30fps	D1@30fps	
Audio Sample Rate	8KHz,16 bit per channel		
Audio Bit Rate	64Kbps per channel		
Decoding			
Capability	Analog:4 x 1080P Lite@25, 4 x 720P@30 IP: 1 x 6MP@20, 2 x 1080P@30		
Hard Disk			
SATA	1 SATA interface		
Capacity	Up to 6TB for each HDD		
General Alarm			
General Alarm	By analog camera: Motion detection By IP Camera: Motion detection		
Alert Alarm	IP Conflict, Network Disconnected, Disk Offline, HDD is abnormal, Illegal Access, Running Out of Space, Space Used Up, Recording Abnormal		
External Interface			
Network Interface	1RJ45 10M/100M self-adaptive Ethernet Interface		
USB Interface	Rear panel:2 x USB2.0		
General			
Power Supply	12V DC Power Consumption: ≤ 10 W(without HDD)		
Working Environment	-10°C ~ + 55°C (+14°F ~ +131°F), Humidity ≤ 90% RH(non-condensing)		
Dimensions(WxDxH)	190mm × 202mm × 42mm (7.5" × 7.9" × 1.6")		
Weight (without HDD)	≤0.6 Kg (1.32lb)		
Certification			
Certification	CE/FCC/WEEE		

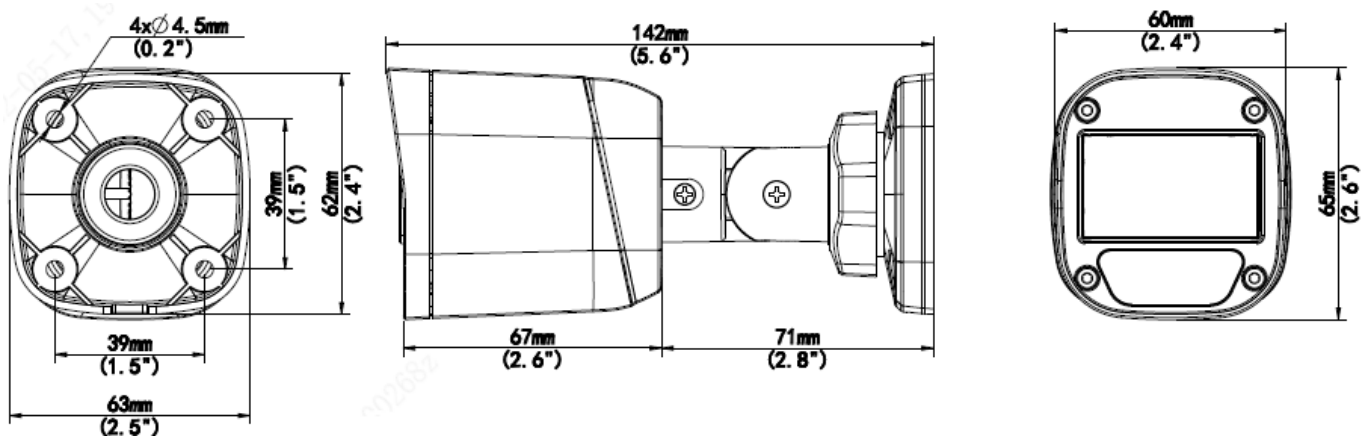
Dimensions



Model	UAC-B112-F28
Sensor	
Pixel	2MP
Size	1/3"
Minimum Illumination	0.02 lux (F2.0, AGC ON) 0.00 lux (IR on)
Lens	
Lens	2.8mm
Lens Mount	M12
Angle of View	H: 90.5° V: 49.6° D: 109.5°
Illuminator	
Illuminator	One IR illuminator
Illumination Distance	20m
Lifetime	≥60,000 hours
Video	
Resolution	1080P: 1920(H)×1080(V) 720P: 1280(H) ×720(V)
Frame Rate	TVI/AHD/CVI: 1080P@30fps, 1080P@25fps; 720P@30fps, 720P@25fps CVBS: PAL, NTSC
Shutter Time	PAL: 1/25s-1/50000s NTSC: 1/30s-1/50000s
Image	

Exposure Mode	4 modes: Global (default), BLC, HLC, DWDR
Day/Night	3 modes: Auto (default), Day, Night
Digital Noise Reduction	2D
White Balance	Two modes: Auto (default), Manual
WDR	DWDR
Smart IR	Support
Flip	Supports 180° horizontal flip, 180° vertical flip.
Interface	
Power	5.5mm power interface
Video Output	BNC, supports TVI/AHD/CVI/CVBS
Operating Environment	
Temperature	-30°C to 60°C (-22°F to 140°F)
Humidity	≤95% (RH, non-condensing)
Surge Protection	4KV
Ingress Protection	IP67
General	
Power	DC 12V(±25%), with reverse polarity protection and surge protection, Max 2.88W
Mount	3D bracket supplied, surface mount (default), optional backbox, pole mount bracket
Dimensions	142mm × 63mm × 65mm (5.6" × 2.5" × 2.6") (L×W×H)
Material	Plastic
Weight	135g(0.30lb)
Certification	CB, CE, FCC

Dimensions

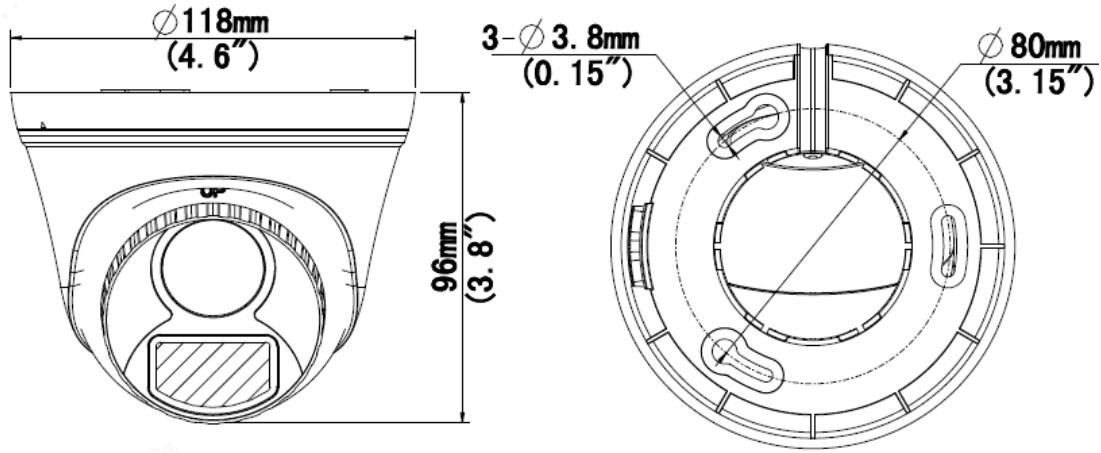


UAC-B112-F28

Specifications

Model	UAC-T112-F28
Sensor	
Pixel	2MP
Size	1/3"
Minimum illumination	0.02 lux (F2.0, AGC ON) 0 lux (IR on)
Lens	
Lens	2.8mm
Lens mount	M12
Angle of view	H: 90.5° V: 49.6° D: 109.5°
Illuminator	
Illuminator	One IR illuminator
Illumination distance	20m
Lifetime	≥60,000 hours
Image	
Resolution	1080P: 1920(H)×1080(V) 720P: 1280(H) ×720(V)
Frame rate	TVI/AHD/CVI: 1080P@30fps, 1080P@25fps; 720P@30fps, 720P@25fps CVBS: PAL, NTSC
Shutter time	PAL: 1/25s-1/50000s NTSC: 1/30s-1/50000s
Image	
Exposure mode	4 modes: Global (default), BLC, HLC, DWDR
Day/Night	3 modes: Auto (default), Day, Night
Digital noise reduction	2D
White balance	Two modes: Auto (default), Manual
WDR	DWDR
Smart IR	Support
Flip	Supports 180° horizontal flip, 180° vertical flip.
Interface	
Power	5.5mm power interface
Video output	BNC, supports TVI/AHD/CVI/CVBS
Operating environment	
Temperature	-30°C to 60°C(-22°F to 140°F)
Humidity	≤95% (RH, non-condensing)
Surge protection	4KV
Ingress protection	IP67
General	
Power	DC 12V(±25%), with reverse polarity protection and surge protection, Max 2.88W
Mount	Surface mount (default), optional backbox, wall mount bracket
Dimensions	Φ118mm*96mm (diameter*height)
Material	Plastic
Weight	182g(0.401lb)

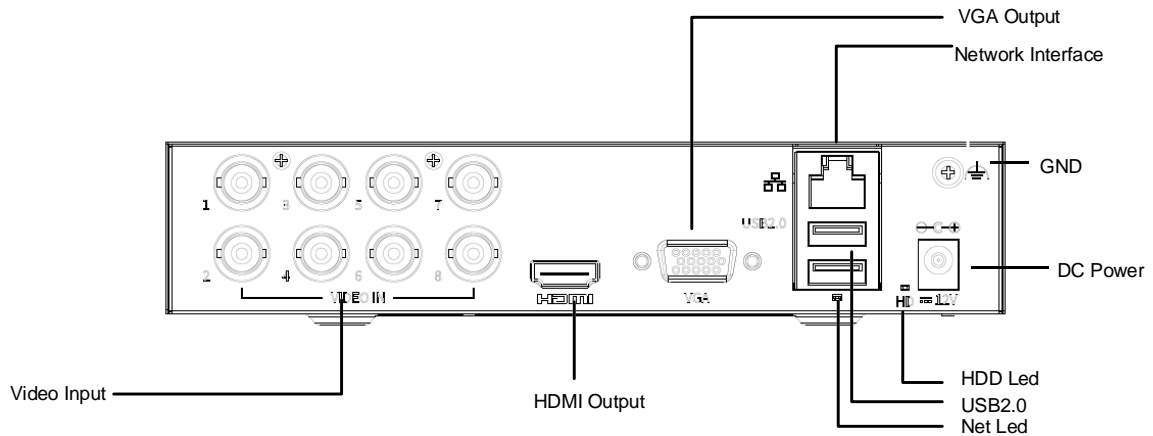
Dimensions



UAC-T112-F28

Rear Panel

Take XVR-108F for example



Zhejiang Uniview Technologies Co., Ltd.

Building No.10, Wanlun Science Park, Jiangling Road 88, Binjiang District, Hangzhou, Zhejiang, China

 Email: overseasbusiness@uniview.com; globalsupport@uniview.com
<http://www.uniview.com>

©2023 Zhejiang Uniview Technologies Co., Ltd. All rights reserved.

* Product specifications and availability are subject to change without notice.